

DOMINUS

Remote Control Application
Code 3.026273

immergas.com

Immergas S.p.A. 42041 Brescello (RE) - Italy
Tel. 0522.689011 Fax 0522.680617

Code 1.039621ENG - Rev. ST.002519/004 - 04/24

The manufacturer Immergas S.p.A., hereby declares that the "Dominus" radio appliance complies with directive 2014/53/EU.

The complete text of the EU declaration of conformity is available at the following website address: www.immergas.com

FOREWORD.

The "Dominus" application has been designed to remotely control and regulate the specific generator operating values.

Its installation takes a few minutes: the Dominus application is connected to the generator with only 2 cables, through which, it receives and sends the regulation and control commands. Power must be supplied by means of the specific terminals in the generator or using the power supply available.

The "Dominus" application must be downloaded from the Apple Store (Apple) or Play Store (Android), installed on the mobile device (smartphone, tablet).

After the installation and configuration, the application is ready for use thanks to the simplicity of use that distinguishes it. The customer can modify the settings in the generator as required or simply view them.

GENERAL WARNINGS.

This manual was intended for: the Installer.

- Carefully read the warnings contained in this document as they provide indications on the technical features as well as the installation, assembly, programming, adjustment and use instructions.
- The device must be installed in compliance with electrical installation standards in force.
- This instruction manual and the "Dominus" application manual must be "kept for future reference".
- After having removed the packaging, check the integrity of the device. If in doubt, do not use it and contact the Dealer or Manufacturer.
- Dominus is intended only for the use for which it has been expressly designed. Any other use must be considered improper and therefore dangerous.
- Our products are manufactured in compliance with current safety standards. During installation and use, it is recommended to observe all the precautions to avoid harming persons or damaging objects.
- Do not remove parts of the appliance when it is operating.
- Do not use the Dominus application in places exposed to heat sources or direct sunlight.
- The manufacturer will not be held responsible in the following cases:
 - Incorrect installation.
 - Operating defects of the generator that the device is connected to.
 - Changes or interventions not authorised by the manufacturer.
 - Total or partial failure to comply with instructions.
 - Exceptional events etc.

N.B.: Dominus must be installed less than 2 metres above the floor;

N.B.: Dominus cannot be installed outdoors;

N.B.: Dominus cannot be installed within 20 cm of the human body.

CLEANING THE COVER.

Use only a dry cloth to clean the cover of the Dominus application. Never use abrasive or powder detergents.

WARNING.

Immergas reserves the right to make improvements and changes to details and accessories, excepting the essential features of the model described and illustrated herein.

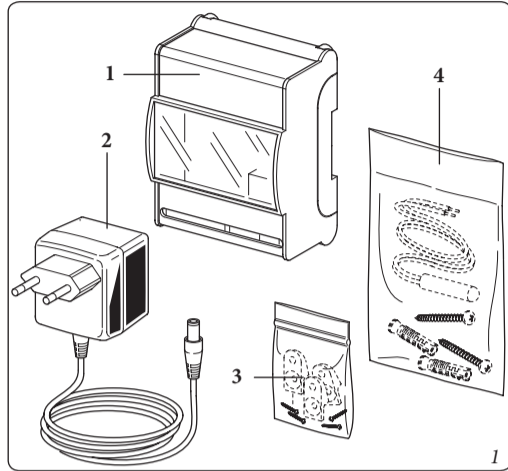
1. INSTALLATION.

1.1 Installation recommendations.

Dominus, including the relative cables and connections to the generator, must be installed by specialised staff. Upon the free initial check of the generator, when the appliance is inserted into the system, the Immergas authorised after-sales centre checks the connection to the generator terminal board and adjusts operation. The free check just of the Dominus application is not envisioned by the Immergas authorised after-sales centre if requested after the generator warranty has initiated.

Attention: laying the Dominus cables is excluded from the free generator checks; it is the responsibility of the installer company.

1.2 Package contents.



Ref	Description
1	Dominus.
2	Feeder.
3	Extension kit + screws for wall mounting of the Dominus application.
4	Kit with expansion plugs + screws for wall mounting the Dominus application + room/external probe.

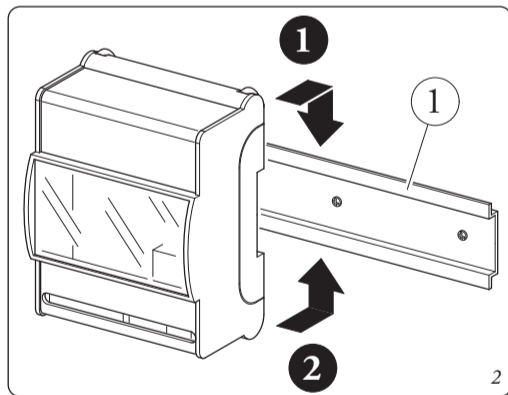
1.3 Wi-Fi module installation operations.

N.B.: make sure that the installation area of Dominus properly receives the signal of the home Wi-Fi network.

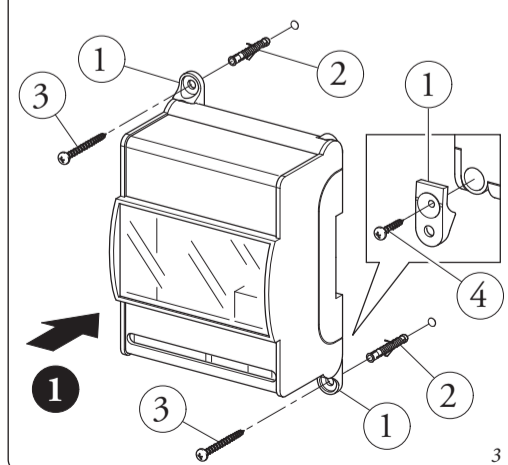
N.B.: before performing any electrical connection, make sure that all the involved appliances are disconnected from the mains.

N.B.: for correct installation prepare a dedicated power line for the connection of the Dominus application according to the Standards in force regarding electrical systems. If this is not possible interference due to other electric cables could cause malfunctioning of the module itself. The electrical connections to be performed on the Dominus device must be carried out according to the diagrams shown in Chapter 3.

The Dominus device can be installed on a specifically provided omega bar (Fig. 2, Ref. 1). Alternatively, install the extensions on the Dominus application (Fig. 3, Ref. 1) using the screws (Fig. 3, Ref. 4) and wall-mount the module itself using the expansion plugs (Fig. 3, Ref. 2) and the screws (Fig. 3, Ref. 3).



Attention: the fixing screws and the extensions are not on the Dominus module, but are supplied in a bag in the packing box.

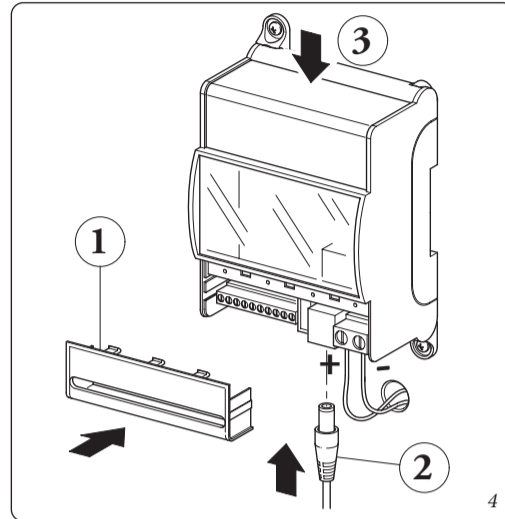


To make the electric connections (see chapter 3) **do not operate when the generator is live. The connection must be made respecting the polarity of the wires (+ and -).** Then connect Dominus to the provided terminals of the generator. If the generator has the power supply terminals specified in configuration "A" (Fig. 6) or the appliance is installed far from it, use the available power supply provided (configuration "B") (Fig. 7).

Attention: for the power supply, use configuration "A" (Fig. 6) or else configuration "B" (Fig. 7). Never use both simultaneously!

The connection to the generator is made using two wires (Fig. 4) with a minimum section of 0.35 mm² and maximum section of 1 mm² and with a maximum length of 50 metres.

Fix the contact protections of the Dominus module to the support, press-fitting them (Fig. 4, Ref. 1).



After having powered the generator and the Dominus (Fig. 4, Ref. 2) wait about 30 seconds before configuration so that communication between the two devices has been established.

N.B.: at the first ignition, the Dominus behaves like an "Access-Point".

In case of malfunction, the device can be reset as follows:

- Disconnect the power supply to Dominus;
- Press and hold the reset button (Fig. 4, Ref. 3) and simultaneously power Dominus back up;
- Hold down the reset button (Fig. 4, Ref. 3) for at least 10 seconds;
- When releasing the button the Dominus device resumes operation as "Access-Point" (see par. 2.1, LED LD 3 flashes to confirm reset).

1.4 System configuration.

N.B.: the parameters of the generator must be set appropriately according to the type of generator that Dominus is connected to. For this purpose, see table Par. 2.2.

1.5 Application download and installation on mobile devices (smartphone/tablet).

Using the mobile device on which to install the application, connect to the App store of reference: App Store (Apple) or Play Store (Android) and type in "Immergas" in the search field.

Select the free "Dominus" application and wait for its download and installation on the mobile device used.

The app works with IOS 12 operating system or Android 10 or higher.

Open the "Dominus" app and download the instruction manual by pressing the item "Instructions and warnings". Follow its instructions to register and pair it with the installed Dominus device.

The manual can be downloaded from the website www.immergas.com.

N.B.: the name of the Wi-Fi network and password to which "Dominus" will be connected must not contain spaces and the encryption methodology must be WPA2 PSK: otherwise, there may be incompatibilities.

2. TECHNICAL CHARACTERISTICS

- Dominus power supply: 24 Vdc - 0,1 A
- Functioning room temperature: 0 - +40°C
- Warehouse temperature: -10 - +50°C
- Protection class: IP 20
- Rated load with Gnd-24V contacts: 3A 24 Vdc
- Transmission power: 100 mW
- Transmission technology: Wi-Fi g/b 2,4 GHz
- Connection technique: 2 polarised wires
- Connection cable max. length: 50 m (with 2x0.75mm² cable) (0.5 mm² min - 1.5 mm² max)
- Clock indication diversion: 15 minutes/year

2.1 Description of the Dominus LEDs.

LED	Description
LD 1 (yellow)	• Reserved
LD 2 (yellow)	• Reserved
LD 3 (green)	• Off = normal operation (control from RC if any or from TA contact) • Fast flashing (~2Hz) = triggered hardware reset by pressing button > 10s (reset Dominus default data)
LD 4 (red)	• Fast flashing (~2Hz) = not associated with WiFi network or in AP-mode • Off = associated with WiFi network (WiFi normal operation)
LD 5 (yellow)	• Flash = packs/communications in transit Tx/Rx UART or WiFi
LD 6 (green)	• On = Connection active • Fast flashing (~2Hz) = no valid IP address or in configuration mode • Slow flashing (~0.5Hz) = valid IP address (WiFi normal operation)

N.B.: if all three LEDs (4, 5 and 6) are permanently Off, Dominus is being reset (or not working if for more than 3 seconds).

2.2 Description of installation parameters based on respective generator.

Installation of Dominus to respective generator			
Generator	App profile name	Generator configuration parameters	DIP SWITCH configuration
Fam. TRIO PACK/ TRIO HYDRO	TRIO PACK /TRIO HYDRO	On the control panel, select the item 'System Supervision' in the system Service/Definitions menu and set the option 'Domin'.	
Fam. Magis Pro/Com- bo V2	Magis Pro-Combo V2	On the control panel, select the parameter 'A30' in the Password/System menu and set the option 'ON'.	
Fam. Magis Hercules Pro	Magis Hercules Pro.	On the control panel, select the item 'System Supervision' in the system Service/Definitions menu and set the option 'Domin'.	
	Magis Hercules Pro Mini.		
Fam. Victrix Superior Fam. Hercules con- densing	Superior	On the control panel, select the item 'Type' in the Service/Modbus menu and set the option 'Dominus'.	
Fam. Victrix Extra Fam. Victrix Maior Fam. Victrix Tera Vip V2	Maior/Extra	On the control panel, select the parameter 'P18' in the 'P' menu and set the option '1'.	
System Manager	System manager	On the control panel, select the item 'B04' in the Service/Supervisor menu and set the option 'Yes'.	
MAGIS-HERCULES- ERP / TRIO	Magis Pro Combo V2 / TRIO	Set the parameter 'BMS' in the 'ConF' menu to the value 1.	

In the notes: For more details on the column 'Generator configuration parameters' refer to the generator booklet.

3. WIRING DIAGRAMS

